

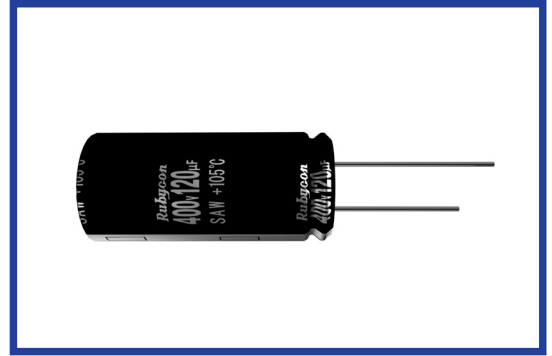
SAW 系列  
SERIES

UPGRADE

105°C 过电压对策规格设定 小型化品  
105°C Overvoltage Venting Specification, Miniaturized

- 105°C 2000小时品。  
Load Life : 105°C 2000 hours.
- 电容器上施加电压时, 对压力阀开启状态进行规格设定的产品。  
关于详情请咨询我们。  
This series has specification of vent operation in overvoltage situation.  
Please consult us for any further details.

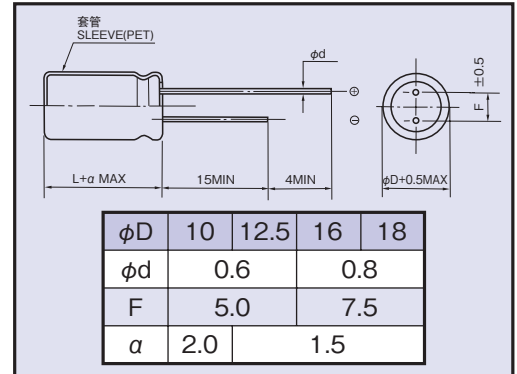
RoHS compliance



规格表 / SPECIFICATIONS

| 项目 Items   | 特性 Characteristics   |                               |   |                              |  |                        |   |   |  |
|--|--|-------------------------------|---|------------------------------|--|------------------------|---|---|--|
| 工作温度范围<br>Category Temperature Range                               | -25~+105°C   |                               |   |                              |  |                        |   |   |  |
| 额定电压范围<br>Rated Voltage Range                                      | 200~450Vdc   |                               |   |                              |  |                        |   |   |  |
| 静电容量允许差<br>Capacitance Tolerance                                   | ±20% (20°C, 120Hz)   |                               |   |                              |  |                        |   |   |  |
| 漏电流<br>Leakage Current(MAX)  | $I=3\sqrt{CV}$ (施加额定电压5分钟后)<br>$I=3\sqrt{CV}$ (After 5 minutes application of rated voltage)<br>I=漏电流(μA)      C=静电容量(μF)      V=额定电压(Vdc)<br>Leakage Current      Capacitance      Rated Voltage  |                               |   |                              |  |                        |   |   |  |
| 损失角正切值<br>(tanδ)<br>Dissipation Factor(MAX)                        | 0.15 (20°C, 120Hz)   |                               |   |                              |  |                        |   |   |  |
| 耐久性<br>Endurance   | 在105°C环境中, 不超过额定电压的范围内叠加额定纹波电流, 连续加载2000小时后, 满足以下各项要求。<br>After applying rated voltage with rated ripple current for 2000 hours at 105°C, the capacitors shall meet the following requirements.<br><table border="1"> <tr> <td>静电容量变化率<br/>Capacitance Change</td> <td>初期值的±20%以内<br/>Within ±20% of the initial value.</td> </tr> <tr> <td>损失角正切值<br/>Dissipation Factor</td> <td>规格值的200%以下<br/>Not more than 200% of the specified value.</td> </tr> <tr> <td>漏电流<br/>Leakage Current</td> <td>规格值以下<br/>Not more than the specified value.</td> </tr> </table> | 静电容量变化率<br>Capacitance Change | 初期值的±20%以内<br>Within ±20% of the initial value. | 损失角正切值<br>Dissipation Factor | 规格值的200%以下<br>Not more than 200% of the specified value. | 漏电流<br>Leakage Current | 规格值以下<br>Not more than the specified value. |   |  |
| 静电容量变化率<br>Capacitance Change                                      | 初期值的±20%以内<br>Within ±20% of the initial value.  |                               |   |                              |  |                        |   |   |  |
| 损失角正切值<br>Dissipation Factor                                       | 规格值的200%以下<br>Not more than 200% of the specified value.   |                               |   |                              |  |                        |   |   |  |
| 漏电流<br>Leakage Current   | 规格值以下<br>Not more than the specified value.  |                               |   |                              |  |                        |   |   |  |
| 低温特性<br>Low Temperature Stability<br>(阻抗比)<br>Impedance Ratio(MAX) | <table border="1"> <tr> <td>额定电压(Vdc)<br/>Rated Voltage</td> <td>200</td> <td>400, 450</td> <td>(120Hz)</td> </tr> <tr> <td>Z(-25°C)/Z(20°C)</td> <td>3</td> <td>8</td> <td></td> </tr> </table>   | 额定电压(Vdc)<br>Rated Voltage    | 200   | 400, 450                     | (120Hz)  | Z(-25°C)/Z(20°C)       | 3   | 8 |  |
| 额定电压(Vdc)<br>Rated Voltage   | 200  | 400, 450                      | (120Hz)   |                              |  |                        |   |   |  |
| Z(-25°C)/Z(20°C)   | 3  | 8                             |   |                              |  |                        |   |   |  |

尺寸图 / DIMENSIONS (mm)



标准品一览表 / STANDARD SIZE

| 额定电压<br>Rated Voltage<br>(Vdc) | 静电容量<br>Capacitance<br>(μF) | 外形尺寸<br>Size<br>φD×L<br>(mm) | 额定纹波电流<br>Rated Ripple Current<br>(A r.m.s./105°C, 120Hz) |
|--------------------------------|-----------------------------|------------------------------|---|
| 200                            | 120                         | 16×20                        | 0.49  |
|                                | 150                         | 18×20                        | 0.53  |
|                                | 180                         | 16×30                        | 0.66  |
|                                | 180                         | 18×25                        | 0.62  |
|                                | 220                         | 16×30                        | 0.71  |
|                                | 220                         | 18×25                        | 0.71  |
|                                | 270                         | 18×30                        | 0.81  |
| 400                            | 18                          | 12.5×20                      | 0.14  |
|                                | 22                          | 12.5×25                      | 0.16  |
|                                | 27                          | 12.5×25                      | 0.18  |
|                                | 27                          | 16×20                        | 0.19  |
|                                | 33                          | 16×20                        | 0.21  |
|                                | 39                          | 16×25                        | 0.25  |
|                                | 39                          | 18×20                        | 0.25  |
|                                | 47                          | 16×25                        | 0.28  |
|                                | 47                          | 18×20                        | 0.28  |
|                                | 56                          | 16×30                        | 0.30  |
|                                | 56                          | 18×25                        | 0.30  |
|                                | 68                          | 16×35                        | 0.35  |
|                                | 68                          | 18×25                        | 0.33  |
|                                | 82                          | 16×40                        | 0.40  |
|                                | 82                          | 18×30                        | 0.38  |
| 100                            | 18×35                       | 0.44                         |   |
| 120                            | 18×40                       | 0.50                         |   |
| 450                            | 4.7                         | 10×12.5                      | 0.065   |
|                                | 10                          | 10×20                        | 0.11  |
|                                | 22                          | 16×20                        | 0.18  |
|                                | 33                          | 16×25                        | 0.23  |
|                                | 39                          | 18×25                        | 0.25  |
|                                | 47                          | 18×25                        | 0.32  |
|                                | 56                          | 18×35                        | 0.45  |
|                                | 68                          | 18×31.5                      | 0.45  |
|                                | 68                          | 18×35                        | 0.47  |
|                                | 82                          | 18×40                        | 0.51  |

纹波电流修正系数 / MULTIPLIER FOR RIPPLE CURRENT

| 频率(Hz) Frequency  | 60(50)      | 120  | 500  | 1k   | 10k≤ |      |
|-------------------|-------------|------|------|------|------|------|
| 系数<br>Coefficient | 200Vdc      | 0.80 | 1.00 | 1.10 | 1.14 | 1.18 |
|                   | 400, 450Vdc | 0.80 | 1.00 | 1.05 | 1.10 | 1.15 |

副记号 / OPTION

|                  | 记号 Code |
|------------------|---------|
| PET套管 PET Sleeve | EFC     |

产品型号体系 / PART NUMBER

|                       |                |                     |                                  |               |                        |                   |
|-----------------------|----------------|---------------------|----------------------------------|---------------|------------------------|-------------------|
| □□□                   | SAW            | □□□□□               | M                                | □□□           | □□                     | D×L               |
| 额定电压<br>Rated Voltage | 系列名称<br>Series | 静电容量<br>Capacitance | 静电容量允许差<br>Capacitance Tolerance | 副记号<br>Option | 引线加工记号<br>Lead Forming | 铝壳尺寸<br>Case Size |