

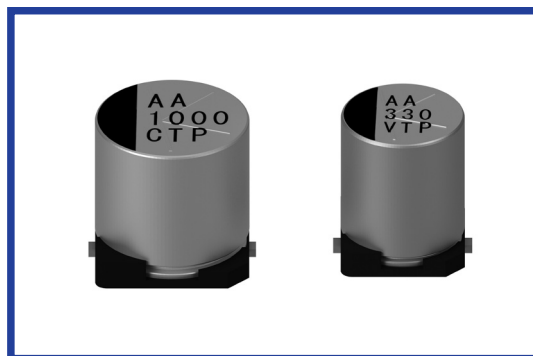
TPV 系列
SERIES

UPGRADE

105°C 低ESR品 小型化品
105°C Low ESR, Miniaturized

- 105°C 2000小时品。
Load Life 105°C 2000 hours.
- 可对应AEC-Q200。
AEC-Q200.

RoHS
compliance



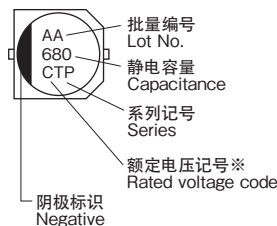
规格表 / SPECIFICATIONS

| 项目 Items | 特性 Characteristics | | | | | | | | | | | | | | | | | | | | | | | | | | | | |
|--|---|-------------------------------|--|------------------------------|--|------------------------|---|--------------|--------------------------------|------|------|------|------|------|--|--------------------------------|---|---|---|---|---|--|--------------------------------|---|---|---|---|---|--|
| 工作温度范围 Category Temperature Range | -55~+105°C | | | | | | | | | | | | | | | | | | | | | | | | | | | | |
| 额定电压范围 Rated Voltage Range | 6.3~35Vdc | | | | | | | | | | | | | | | | | | | | | | | | | | | | |
| 静电容量允许差 Capacitance Tolerance | ±20%(20°C,120Hz) | | | | | | | | | | | | | | | | | | | | | | | | | | | | |
| 漏电流 Leakage Current(MAX) | 小于 $I=0.01CV$ 和 $3\mu A$ 中的较大值 (施加额定电压2分钟后) $I=0.01CV$ or $3\mu A$ whichever is greater. (After 2 minutes application of rated voltage) I =漏损电流(μA) C =静电容量 (μF) V =额定电压(Vdc) Leakage Current Capacitance Rated Voltage | | | | | | | | | | | | | | | | | | | | | | | | | | | | |
| 损失角正切值($\tan\delta$) Dissipation Factor(MAX) | <table border="1"> <tr> <td>额定电压(Vdc) Rated Voltage</td> <td>6.3</td> <td>10</td> <td>16</td> <td>25</td> <td>35</td> <td>(20°C,120Hz)</td> </tr> <tr> <td>$\tan\delta$</td> <td>0.26</td> <td>0.19</td> <td>0.16</td> <td>0.14</td> <td>0.12</td> <td></td> </tr> </table> <p>对于额定静电容量超过1000μF的产品,其静电容量每增加1000μF,则损失角正切值在上表值的基础上加上0.02。 When rated capacitance is over 1000μF, $\tan\delta$ shall be added 0.02 to the listed value with increase of every 1000μF.</p> | 额定电压(Vdc) Rated Voltage | 6.3 | 10 | 16 | 25 | 35 | (20°C,120Hz) | $\tan\delta$ | 0.26 | 0.19 | 0.16 | 0.14 | 0.12 | | | | | | | | | | | | | | | |
| 额定电压(Vdc) Rated Voltage | 6.3 | 10 | 16 | 25 | 35 | (20°C,120Hz) | | | | | | | | | | | | | | | | | | | | | | | |
| $\tan\delta$ | 0.26 | 0.19 | 0.16 | 0.14 | 0.12 | | | | | | | | | | | | | | | | | | | | | | | | |
| 耐久性 Endurance | 在105°C中施加额定电压2000小时后,满足以下各项。 After applying rated voltage for 2000 hours at 105°C, the capacitor shall meet the following requirements. <table border="1"> <tr> <td>静电容量变化率 Capacitance Change</td> <td>初期值的±30%以内 Within ±30% of the initially measured value.</td> </tr> <tr> <td>损失角正切值 Dissipation Factor</td> <td>规格值的200%以下 Not more than 200% of the specified value.</td> </tr> <tr> <td>漏电流 Leakage Current</td> <td>规格值以下 Not more than the specified value.</td> </tr> </table> | 静电容量变化率 Capacitance Change | 初期值的±30%以内 Within ±30% of the initially measured value. | 损失角正切值 Dissipation Factor | 规格值的200%以下 Not more than 200% of the specified value. | 漏电流 Leakage Current | 规格值以下 Not more than the specified value. | | | | | | | | | | | | | | | | | | | | | | |
| 静电容量变化率 Capacitance Change | 初期值的±30%以内 Within ±30% of the initially measured value. | | | | | | | | | | | | | | | | | | | | | | | | | | | | |
| 损失角正切值 Dissipation Factor | 规格值的200%以下 Not more than 200% of the specified value. | | | | | | | | | | | | | | | | | | | | | | | | | | | | |
| 漏电流 Leakage Current | 规格值以下 Not more than the specified value. | | | | | | | | | | | | | | | | | | | | | | | | | | | | |
| 低温特性 Low Temperature Stability (阻抗比) Impedance Ratio(MAX) | <table border="1"> <tr> <td>额定电压(Vdc) Rated Voltage</td> <td>6.3</td> <td>10</td> <td>16</td> <td>25</td> <td>35</td> <td>(120Hz)</td> </tr> <tr> <td>$Z(-25^\circ C)/Z(20^\circ C)$</td> <td>2</td> <td>2</td> <td>2</td> <td>2</td> <td>2</td> <td></td> </tr> <tr> <td>$Z(-40^\circ C)/Z(20^\circ C)$</td> <td>3</td> <td>3</td> <td>3</td> <td>3</td> <td>3</td> <td></td> </tr> <tr> <td>$Z(-55^\circ C)/Z(20^\circ C)$</td> <td>4</td> <td>4</td> <td>4</td> <td>3</td> <td>3</td> <td></td> </tr> </table> | 额定电压(Vdc) Rated Voltage | 6.3 | 10 | 16 | 25 | 35 | (120Hz) | $Z(-25^\circ C)/Z(20^\circ C)$ | 2 | 2 | 2 | 2 | 2 | | $Z(-40^\circ C)/Z(20^\circ C)$ | 3 | 3 | 3 | 3 | 3 | | $Z(-55^\circ C)/Z(20^\circ C)$ | 4 | 4 | 4 | 3 | 3 | |
| 额定电压(Vdc) Rated Voltage | 6.3 | 10 | 16 | 25 | 35 | (120Hz) | | | | | | | | | | | | | | | | | | | | | | | |
| $Z(-25^\circ C)/Z(20^\circ C)$ | 2 | 2 | 2 | 2 | 2 | | | | | | | | | | | | | | | | | | | | | | | | |
| $Z(-40^\circ C)/Z(20^\circ C)$ | 3 | 3 | 3 | 3 | 3 | | | | | | | | | | | | | | | | | | | | | | | | |
| $Z(-55^\circ C)/Z(20^\circ C)$ | 4 | 4 | 4 | 3 | 3 | | | | | | | | | | | | | | | | | | | | | | | | |

纹波电流修正系数 / MULTIPLIER FOR RIPPLE CURRENT

| 频率(Hz) Frequency | 120 | 1k | 10k | 100k \leq | |
|---------------------|------------------|------|------|-------------|------|
| 系数 Coefficient | 68~150 μF | 0.44 | 0.80 | 0.95 | 1.00 |
| | 220~2200 μF | 0.60 | 0.85 | 0.95 | 1.00 |

标识 / MARKING



※电压记号 Voltage code

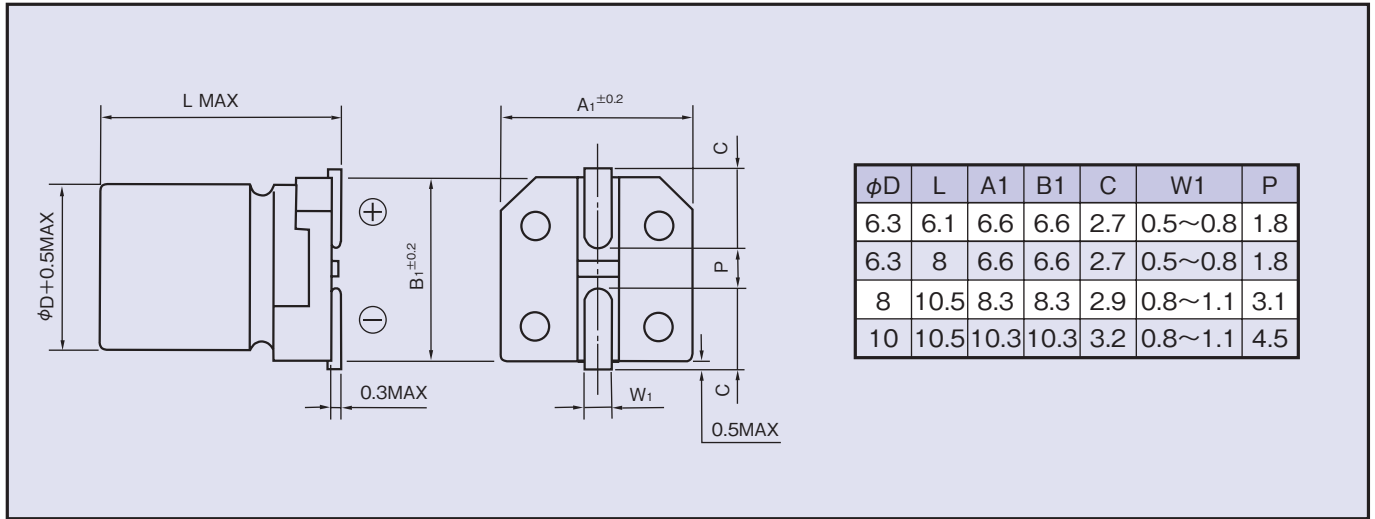
| 额定电压(Vdc) Rated Voltage | 6.3 | 10 | 16 | 25 | 35 |
|----------------------------|-----|----|----|----|----|
| 电压记号 Voltage code | j | A | C | E | V |

产品型号体系 / PART NUMBER

| | | | | | |
|-----------------------|----------------|---------------------|----------------------------------|---------------|-------------------|
| □□□ | TPV | □□□□□ | M | □□□ | DXL |
| 额定电压 Rated Voltage | 系列名称 Series | 静电容量 Capacitance | 静电容量允许差 Capacitance Tolerance | 副记号 Option | 铝壳尺寸 Case Size |

◆尺寸图 / DIMENSIONS

(mm)



◆标准品一览表 / STANDARD SIZE

Size φDXL(mm), Rated Ripple Current(mA r.m.s./105°C,100kHz), ESR(Ω MAX/20°C, 100kHz)

| Vdc | Cap (μF) | Size (φDXL) | Ripple | ESR |
|-----|----------|-------------|--------|------|
| 6.3 | 330 | 6.3×6.1 | 300 | 0.26 |
| | 470 | 6.3×8 | 600 | 0.16 |
| | 680 | 6.3×8 | 600 | 0.16 |
| | 1200 | 8×10.5 | 850 | 0.08 |
| | 2200 | 10×10.5 | 1190 | 0.06 |
| 10 | 220 | 6.3×6.1 | 300 | 0.26 |
| | 330 | 6.3×8 | 600 | 0.16 |
| | 470 | 6.3×8 | 600 | 0.16 |
| | 1000 | 8×10.5 | 850 | 0.08 |
| | 1500 | 10×10.5 | 1190 | 0.06 |
| 16 | 150 | 6.3×6.1 | 300 | 0.26 |
| | 220 | 6.3×6.1 | 300 | 0.26 |
| | 330 | 6.3×8 | 600 | 0.16 |
| | 680 | 8×10.5 | 850 | 0.08 |
| | 1000 | 10×10.5 | 1190 | 0.06 |

| Vdc | Cap (μF) | Size (φDXL) | Ripple | ESR |
|-----|----------|-------------|--------|------|
| 25 | 100 | 6.3×6.1 | 300 | 0.26 |
| | 150 | 6.3×8 | 600 | 0.16 |
| | 220 | 6.3×8 | 600 | 0.16 |
| | 470 | 8×10.5 | 850 | 0.08 |
| | 820 | 10×10.5 | 1190 | 0.06 |
| 35 | 68 | 6.3×6.1 | 300 | 0.26 |
| | 100 | 6.3×6.1 | 300 | 0.26 |
| | 150 | 6.3×8 | 600 | 0.16 |
| | 330 | 8×10.5 | 850 | 0.08 |
| | 560 | 10×10.5 | 1190 | 0.06 |