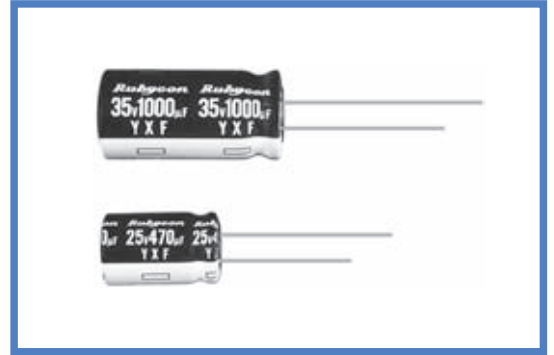


YXF 系列
SERIES

105°C长寿命低阻抗品
105°C Long Life. Low impedance.

◆特 长 / FEATURES

- 105°C、2000~10000小时品。
Load Life : 105°C 2000~10000hours.
- 高频率阻抗规格设定。
Low impedance at 100kHz with selected materials.
- RoHS指令对应品
RoHS compliance.



◆规格表 / SPECIFICATIONS

项 目 Items	特 性 Characteristics																																							
工作温度范围 Category Temperature Range	-40~+105°C																																							
额定电压范围 Rated Voltage Range	6.3~250V.DC																																							
静电容量允许差 Capacitance Tolerance	±20% (20°C, 120Hz)																																							
漏 电 流 Leakage Current(MAX)	<p>6.3wv~100wv 小于I=0.01CV和3µA中的较大值 (施加额定电压2分钟后) I=0.01CV or 3µA whichever is greater. (After 2 minutes)</p> <p>160wv~250wv I=0.04CV + 100µA (施加额定电压1分钟后) I=0.04CV + 100µA (After 1 minute application of rated voltage)</p> <p>I=0.02CV + 25µA (施加额定电压5分钟后) I=0.02CV + 25µA (After 5 minutes application of rated voltage)</p> <p>I=漏电流 (µA) Leakage Current</p> <p>C=额定静电容量 (µF) Rated Capacitance</p> <p>V=额定电压 (V) Rated Voltage</p>																																							
损失角正切值 (tan δ) Dissipation Factor(MAX)	<table border="1"> <thead> <tr> <th>额定电压 (V) Rated Voltage</th> <th>6.3</th> <th>10</th> <th>16</th> <th>25</th> <th>35</th> <th>50</th> <th>63</th> <th>100</th> <th>160</th> <th>200</th> <th>250</th> <th>(20°C, 120Hz)</th> </tr> </thead> <tbody> <tr> <td>tan δ</td> <td>0.22</td> <td>0.19</td> <td>0.16</td> <td>0.14</td> <td>0.12</td> <td>0.10</td> <td>0.09</td> <td>0.08</td> <td>0.12</td> <td>0.12</td> <td>0.12</td> <td></td> </tr> </tbody> </table> <p>对于额定静电容量超过1000µF的产品, 其静电容量每增加1000µF, 则损失角正切值在上表值的基础上加上0.02。 When rated capacitance is over 1000µF, tan δ shall be added 0.02 to the listed value with increase of every 1000µF.</p>	额定电压 (V) Rated Voltage	6.3	10	16	25	35	50	63	100	160	200	250	(20°C, 120Hz)	tan δ	0.22	0.19	0.16	0.14	0.12	0.10	0.09	0.08	0.12	0.12	0.12														
额定电压 (V) Rated Voltage	6.3	10	16	25	35	50	63	100	160	200	250	(20°C, 120Hz)																												
tan δ	0.22	0.19	0.16	0.14	0.12	0.10	0.09	0.08	0.12	0.12	0.12																													
耐 久 性 Endurance	<p>在105°C环境中, 不超过额定电压的范围内叠加额定纹波电流, 连续加载右表时间后, 满足以下各项要求。 After life test with rated ripple current at conditions stated in the table below, the capacitors shall meet the following requirements.</p> <table border="1"> <thead> <tr> <th rowspan="2">静电容量变化率 Capacitance Change</th> <th colspan="3">初期值的±25%以内 (160wv~250wv: ±20%以内) Within ±25% of the initial value. (160wv to 250wv: ±20%)</th> </tr> <tr> <th>6.3~10WV</th> <th>16~100WV</th> <th>160~250WV</th> </tr> </thead> <tbody> <tr> <td>损失角正切值 Dissipation Factor</td> <td colspan="3">规格值的200%以下 Not more than 200% of the specified value.</td> </tr> <tr> <td>漏 电 流 Leakage Current</td> <td colspan="3">规格值以下 Not more than the specified value.</td> </tr> </tbody> </table> <table border="1"> <thead> <tr> <th rowspan="2">铝壳尺寸 Case Size</th> <th colspan="3">时间(hrs) Life Time</th> </tr> <tr> <th>6.3~10WV</th> <th>16~100WV</th> <th>160~250WV</th> </tr> </thead> <tbody> <tr> <td>φD≤6.3</td> <td>4000</td> <td>5000</td> <td>-</td> </tr> <tr> <td>φD=8</td> <td>6000</td> <td>7000</td> <td>-</td> </tr> <tr> <td>φD=10</td> <td>6000</td> <td>7000</td> <td>2000</td> </tr> <tr> <td>φD≥12.5</td> <td>8000</td> <td>10000</td> <td>2000</td> </tr> </tbody> </table>	静电容量变化率 Capacitance Change	初期值的±25%以内 (160wv~250wv: ±20%以内) Within ±25% of the initial value. (160wv to 250wv: ±20%)			6.3~10WV	16~100WV	160~250WV	损失角正切值 Dissipation Factor	规格值的200%以下 Not more than 200% of the specified value.			漏 电 流 Leakage Current	规格值以下 Not more than the specified value.			铝壳尺寸 Case Size	时间(hrs) Life Time			6.3~10WV	16~100WV	160~250WV	φD≤6.3	4000	5000	-	φD=8	6000	7000	-	φD=10	6000	7000	2000	φD≥12.5	8000	10000	2000	
静电容量变化率 Capacitance Change	初期值的±25%以内 (160wv~250wv: ±20%以内) Within ±25% of the initial value. (160wv to 250wv: ±20%)																																							
	6.3~10WV	16~100WV	160~250WV																																					
损失角正切值 Dissipation Factor	规格值的200%以下 Not more than 200% of the specified value.																																							
漏 电 流 Leakage Current	规格值以下 Not more than the specified value.																																							
铝壳尺寸 Case Size	时间(hrs) Life Time																																							
	6.3~10WV	16~100WV	160~250WV																																					
φD≤6.3	4000	5000	-																																					
φD=8	6000	7000	-																																					
φD=10	6000	7000	2000																																					
φD≥12.5	8000	10000	2000																																					
低 温 特 性 Low Temperature Stability (阻抗比) Impedance Ratio(MAX)	<table border="1"> <thead> <tr> <th>额定电压 (V) Rated Voltage</th> <th>6.3</th> <th>10</th> <th>16</th> <th>25</th> <th>35</th> <th>50</th> <th>63</th> <th>100</th> <th>160</th> <th>200</th> <th>250</th> <th>(120Hz)</th> </tr> </thead> <tbody> <tr> <td>Z(-25°C)/Z(20°C)</td> <td>4</td> <td>3</td> <td>2</td> <td>2</td> <td>2</td> <td>2</td> <td>2</td> <td>2</td> <td>3</td> <td>3</td> <td>3</td> <td></td> </tr> <tr> <td>Z(-40°C)/Z(20°C)</td> <td>8</td> <td>6</td> <td>4</td> <td>3</td> <td>3</td> <td>3</td> <td>3</td> <td>3</td> <td>4</td> <td>4</td> <td>4</td> <td></td> </tr> </tbody> </table>	额定电压 (V) Rated Voltage	6.3	10	16	25	35	50	63	100	160	200	250	(120Hz)	Z(-25°C)/Z(20°C)	4	3	2	2	2	2	2	2	3	3	3		Z(-40°C)/Z(20°C)	8	6	4	3	3	3	3	3	4	4	4	
额定电压 (V) Rated Voltage	6.3	10	16	25	35	50	63	100	160	200	250	(120Hz)																												
Z(-25°C)/Z(20°C)	4	3	2	2	2	2	2	2	3	3	3																													
Z(-40°C)/Z(20°C)	8	6	4	3	3	3	3	3	4	4	4																													

◆纹波电流修正系数 / MULTIPLIER FOR RIPPLE CURRENT

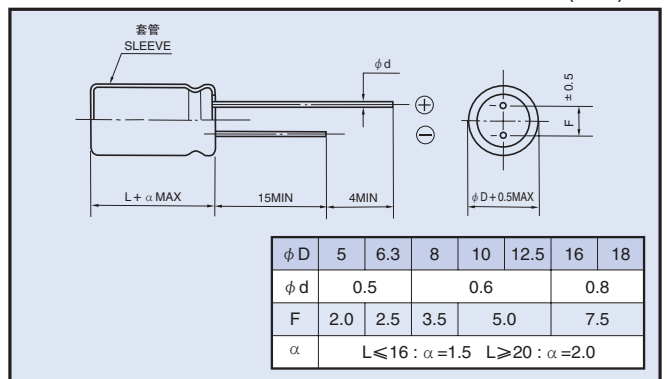
频率系数 Frequency coefficient
(6.3wv~100wv)

频率 (Hz) Frequency	120	1k	10k	100k≤	
系 数 Coefficient	0.47~10µF	0.42	0.60	0.80	1.00
	22~33µF	0.55	0.75	0.90	1.00
	47~330µF	0.70	0.85	0.95	1.00
	470~1000µF	0.75	0.90	0.98	1.00
	2200~15000µF	0.80	0.95	1.00	1.00

(160wv~250wv)

频率 (Hz) Frequency	60(50)	120	1k	10k	100k≤
系 数 Coefficient	0.40	0.50	0.75	0.90	1.00

◆尺寸图 / DIMENSIONS (mm)



◆产品型号体系 / PART NUMBER

□□□	YXF	□□□□□	□	□□□	□□	D×L
额定电压 Rated Voltage	系列名称 Series	额定静电容量 Rated Capacitance	静电容量允许差 Capacitance Tolerance	副记号 Option	引线加工记号 Lead Forming	铝壳尺寸 Case Size

◆标准品一览表 / STANDARD SIZE

额定电压 Rated Voltage (V · DC)	额定静电容量 Rated capacitance (μF)	外形尺寸 Size φ D×L(mm)	额定纹波电流 Rated ripple current (mA r.m.s./105°C, 100kHz)	阻抗 (Ω MAX) Impedance	
				20°C, 100kHz	-10°C, 100kHz
6.3 (0J)	100	5×11	150	0.90	3.6
	220	6.3×11	250	0.40	1.6
	330	6.3×11	250	0.40	1.6
	470	8×11.5	400	0.25	1.0
	1000	10×12.5	580	0.16	0.65
	2200	12.5×20	1300	0.062	0.21
	3300	12.5×20	1300	0.062	0.21
	4700	16×25	1850	0.034	0.096
	6800	16×25	1850	0.034	0.096
	10000	16×31.5	2000	0.029	0.087
15000	18×35.5	2200	0.025	0.058	
10 (1A)	100	5×11	150	0.90	3.6
	220	6.3×11	250	0.40	1.6
	330	8×11.5	400	0.25	1.0
	470	8×11.5	400	0.25	1.0
	1000	10×16	770	0.12	0.46
	2200	12.5×20	1300	0.062	0.21
	3300	12.5×25	1650	0.048	0.16
	4700	16×25	1850	0.034	0.096
	6800	16×31.5	2000	0.029	0.087
10000	18×35.5	2200	0.025	0.058	
16 (1C)	47	5×11	150	0.90	3.6
	100	6.3×11	250	0.40	1.6
	220	8×11.5	400	0.25	1.0
	330	8×11.5	400	0.25	1.0
	470	10×12.5	580	0.16	0.65
	1000	10×20	1050	0.078	0.30
	2200	12.5×25	1650	0.048	0.16
	3300	16×25	1850	0.034	0.096
	4700	16×31.5	2000	0.029	0.087
6800	18×35.5	2200	0.025	0.058	
25 (1E)	33	5×11	150	0.90	3.6
	47	5×11	150	0.90	3.6
	100	6.3×11	250	0.40	1.6
	220	8×11.5	400	0.25	1.0
	330	10×12.5	580	0.16	0.65
	470	10×16	770	0.12	0.46
	1000	12.5×20	1300	0.062	0.21
	2200	16×25	1850	0.034	0.096
	3300	16×31.5	2000	0.029	0.087
	4700	18×35.5	2200	0.025	0.058
35 (1V)	33	5×11	150	0.90	3.6
	47	6.3×11	250	0.40	1.6
	100	8×11.5	400	0.25	1.0
	220	10×12.5	580	0.16	0.65
	330	10×16	770	0.12	0.46
	470	10×20	1050	0.078	0.30
	1000	12.5×25	1650	0.048	0.16
	2200	16×31.5	2000	0.029	0.087
	3300	18×35.5	2200	0.025	0.058

额定电压 Rated Voltage (V · DC)	额定静电容量 Rated capacitance (μF)	外形尺寸 Size φ D×L(mm)	额定纹波电流 Rated ripple current (mA r.m.s./105°C, 100kHz)	阻抗 (Ω MAX) Impedance	
				20°C, 100kHz	-10°C, 100kHz
50 (1H)	0.47	5×11	17	5.5	12.0
	1	5×11	30	4.0	8.0
	2.2	5×11	43	2.5	6.0
	3.3	5×11	53	2.2	5.6
	4.7	5×11	88	1.9	5.0
	10	5×11	100	1.5	4.0
	22	5×11	150	0.90	3.6
	33	6.3×11	250	0.40	1.6
	47	6.3×11	250	0.40	1.6
	100	8×11.5	400	0.25	1.0
	220	10×16	770	0.12	0.46
	330	10×20	1050	0.078	0.30
	470	12.5×20	1300	0.062	0.21
	1000	16×25	1850	0.034	0.096
2200	18×35.5	2200	0.025	0.058	
63 (1J)	10	5×11	87	2.3	9.3
	22	6.3×11	140	1.3	5.2
	33	6.3×11	140	1.2	5.0
	47	8×11.5	210	0.63	2.8
	100	10×12.5	300	0.43	1.8
	220	10×20	520	0.21	0.84
	330	12.5×20	660	0.16	0.64
	470	12.5×25	750	0.12	0.45
	1000	16×31.5	1390	0.054	0.20
100 (2A)	0.47	5×11	15	6.0	17.0
	1	5×11	20	4.5	15.0
	2.2	5×11	30	3.0	13.0
	3.3	5×11	40	2.7	11.0
	4.7	5×11	65	2.5	10.0
	10	6.3×11	140	1.2	5.0
	22	8×11.5	160	0.63	2.8
	33	10×12.5	230	0.43	1.8
	47	10×16	290	0.31	1.5
	100	12.5×20	430	0.16	0.64
	220	16×25	900	0.073	0.27
	330	16×25	900	0.073	0.27

LEAD WIRE
引线

YXF

◆标准品一览表 / STANDARD SIZE

额定电压 Rated Voltage (V · DC)	额定静容量 Rated capacitance (μF)	外形尺寸 Size φ D×L(mm)	额定纹波电流 Rated ripple current (mA r.m.s./105°C, 100kHz)	阻抗 (Ω MAX) Impedance
				20°C, 100kHz
160 (2C)	22	10×20	350	1.0
	33	12.5×20	450	0.70
	47	12.5×25	600	0.45
	68	12.5×25	600	0.45
	100	16×25	950	0.24
	150	16×31.5	1200	0.17
	220	18×35.5	1400	0.14
200 (2D)	22	10×20	350	1.0
	33	12.5×25	550	0.55
	47	12.5×25	600	0.44
	68	16×25	950	0.24
	100	16×31.5	1200	0.17
	150	16×35.5	1280	0.16
	220	18×35.5	1400	0.14
250 (2E)	22	10×20	300	1.4
	33	12.5×25	450	0.70
	47	16×25	850	0.31
	68	16×31.5	1050	0.22
	100	18×35.5	1200	0.18